

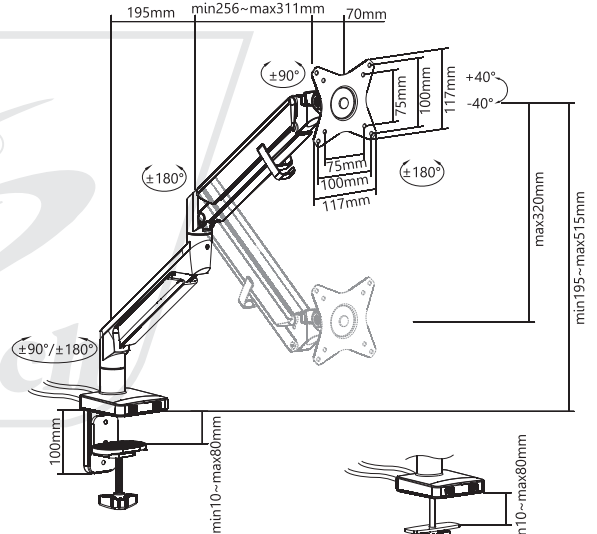
SH 100 C013

Counterbalance Monitor Arm

Fits most 17"-32" flat & curved Monitors



Performance
Gas Spring
Aluminum
Monitor Arms



Screen Size
17"-32"



VESA Compatible
75x75 100x100



Weight Capacity
1-9kg/2.2-19.8lbs



Tilt Range
+40° - -40°



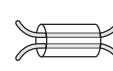
Swivel Range
+90° - -90°



Screen Rotation
+180° - -180°



USB Port



Cable Management



Curved Monitor



Quick-Release VESA Plate
allows for effortless monitor installation and removal.



Built-in Spring Gauge
adjusted to fit various monitor weights.



Built-in 180 Degree Rotation Stop
prevents interference with the wall or partitions.



High Grade Silicone Padding
prevents movement while protecting the desktop from scratches.